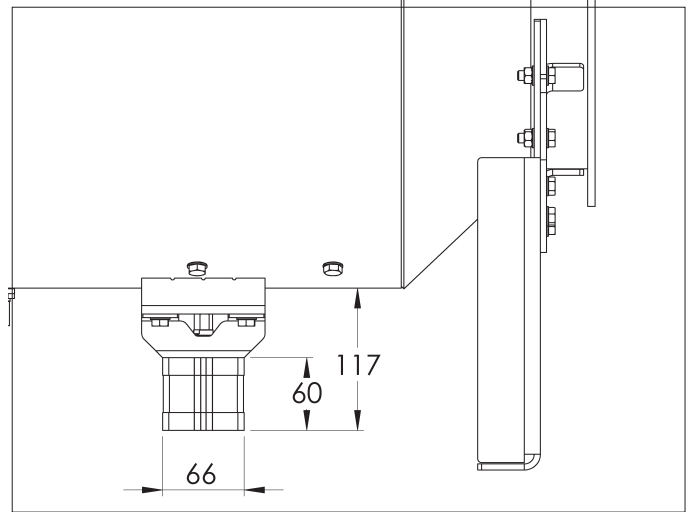
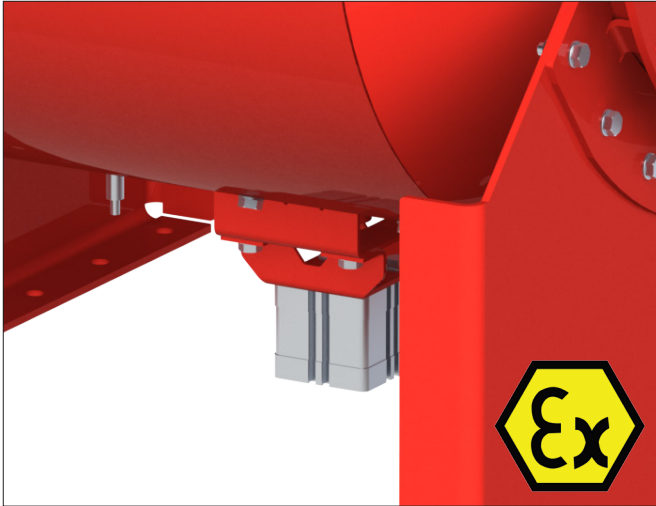


**NABZ000018 - ATEX Remote unlocking system for BADA-FAB**



**NABZ000018 - ATEX Remote unlocking system for BADA-FAB**

The remote unlocking system for BADA-FAB is an ATEX remote operate pneumatic unlocking system that replaces the handle on the underside of the BADA-FAB body.

Especially suited for BADA-FAB ATEX non-return valves placed in high, or hard to reach places.

When an unwanted closing of the non-return valve occurs during normal operating conditions, the pneumatic cylinder can be activated from a remote location to release the blade.

It may not be used when an explosion has occurred in an installation.

**ATEX conformity**

- II 2Gc IIC T100°C

**Material**

Structure : steel 16MO3 (EN 10028)  
Cylinder : Cast aluminum  
Cylinder Rod : AISI 304

**Type**

Cast aluminum cylinder on welded plates including 4/6 air hose quick-connector

**Other information**

- certification notified body : TÜV
- conform to : ATEX Directive 2014/34/EC
- other certification : ISO 21287
- designed for BADA-FAB sizes Ø 200 up to Ø 1000
- temperature range : -20°C to +80°C
- working pressure : max. 8 Bar

**Options**

- non-ATEX execution

The compressed air activation device is not included.

Max. Luftdruck im Pneumatikzylinder: 8 Bar

Verwenden Sie nur ölfreie, trockene Luft

Ø d BADA-FAB	Remote unlocking Code	Weight (kg)
200 to 1000	NABZ000018	0.5