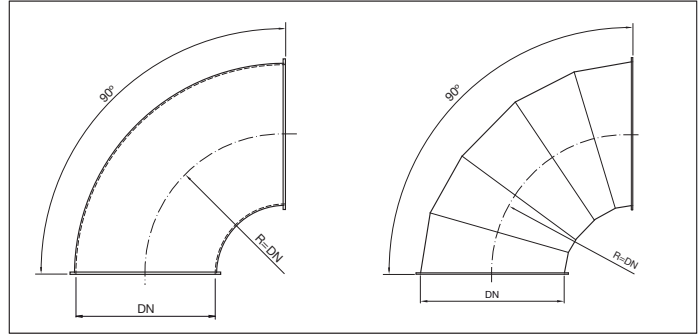
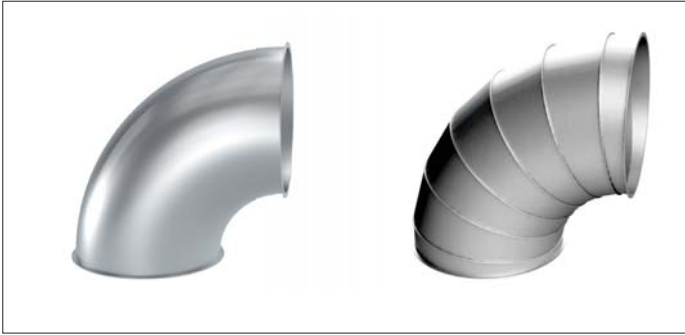


BABA Bends R=D 90°



BABA Bends R=D - 90°

The pressed bends are made of two preformed halves and longitudinally fully welded together with a sheet thickness of 2.00 mm.

The segmented bends are made of welded segments fully welded together.

These bends are suitable for the transport of waste materials such as dust and chips but also for the transport of grains and such.

Material

2.00 mm black steel 1.0330 powder coated in RAL 7032.
Electrostatically conductive and food-safe powder coating thickness of 30 to 60 µm.
Temperature resistance up to +80°C.

Type

Pressed or rolled sheets with 6 mm edges for lock rings.

Options

- FDA and EU compliant food-grade quality
- hot-dipped galvanized or stainless steel execution
- wear resistant lining as of Ø150 (83° Shore), only on segmented models
- equipotential equalization
- other colors
- other diameters
- other sheet thickness, depending on radius and diameter
- other types of edges or connections

* Segmented models

Ø d mm	Code	R mm	# of segments	s mm	Weight kg
100	BABA000250	100	1	2.00	0.79
120	BABA000251	120	1	2.00	1.14
140*	BABA000252	140	5	2.00	1.55
150	BABA000253	150	1	2.00	1.78
160*	BABA000254	160	5	2.00	2.02
175	BABA000255	175	1	2.00	2.42
200	BABA000256	200	1	2.00	3.16
224*	BABA000257	224	5	2.00	3.96
250	BABA000258	250	1	2.00	4.93
280*	BABA000259	280	5	2.00	6.19
300	BABA000260	300	1	2.00	7.11
315*	BABA000261	315	5	2.00	7.83
350*	BABA000262	350	5	2.00	9.67
400*	BABA000263	400	5	2.00	12.63
450*	BABA000264	450	5	2.00	15.99
500*	BABA000265	500	5	2.00	19.74
550*	BABA000266	550	5	2.00	23.88
560*	BABA000267	560	5	2.00	24.76
600*	BABA000268	600	5	2.00	28.42
630*	BABA000269	630	5	2.00	31.34