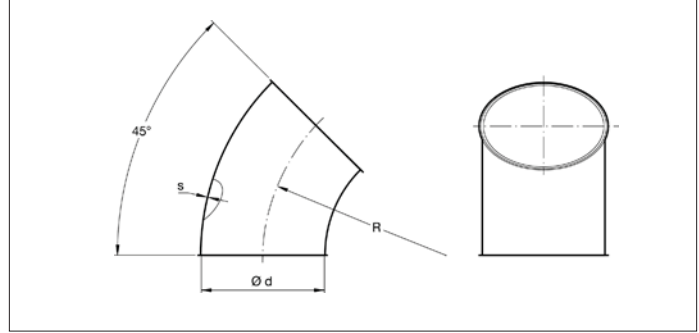


BABA Bends R=2D 45°



BABA Bends R=2D - 45°

The pressed bends are made of two preformed halves and longitudinally fully welded together with a sheet thickness of 2.00 mm.

The segmented bends are made of welded segments fully welded together.

These bends are suitable for the transport of waste materials such as dust and chips but also for the transport of grains and such.

They are only available in R=2D. If a situation requires other radiuses, these can be done in segmented versions.

Material

2.00 mm black steel 1.0330 powder coated in RAL 7032.
Electrostatically conductive and food-safe powder coating thickness of 30 to 60 µm.
Temperature resistance up to +80°C.

Type

Pressed or rolled sheets with 6 mm edges for lock rings.

Options

- FDA and EU compliant food-grade quality
- hot-dipped galvanized or stainless steel execution
- wear resistant lining as of Ø150 (83° Shore), only on segmented models
- equipotential equalization
- other colors
- other diameters
- other sheet thickness, depending on radius and diameter
- other types of edges or connections

* Segmented models

Ø d mm	Code	R mm	# of segments	s mm	Weight kg
100	BABA000079	200	1	2.00	0.79
120	BABA000080	240	1	2.00	1.14
140*	BABA000081	280	4	2.00	1.55
150	BABA000082	300	1	2.00	1.78
160*	BABA000083	320	4	2.00	2.02
175	BABA000084	350	1	2.00	2.42
200	BABA000085	400	1	2.00	3.16
224	BABA000086	448	1	2.00	3.96
250	BABA000087	500	1	2.00	4.93
280*	BABA000088	560	4	2.00	6.19
300	BABA000089	600	1	2.00	7.11
315*	BABA000090	630	4	2.00	7.83
350*	BABA000091	700	4	2.00	9.67
400*	BABA000092	800	4	2.00	12.63
450*	BABA000093	900	4	2.00	15.99
500*	BABA000094	1000	4	2.00	19.74
550*	BABA000095	1100	4	2.00	23.88
560*	BABA000096	1120	4	2.00	24.76
600*	BABA000097	1200	4	2.00	28.42
630*	BABA000098	1260	4	2.00	31.34