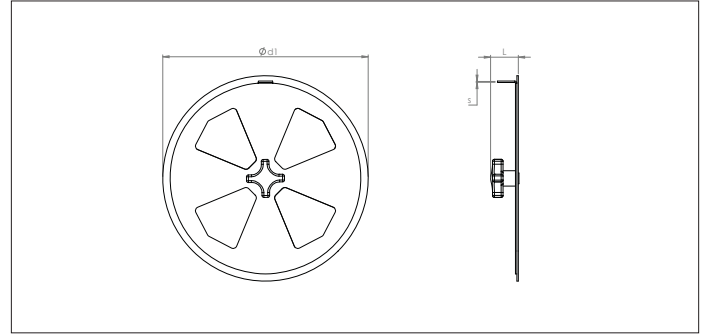


AAZC Adjustable blanking plates



AAZC Adjustable blanking plates

The adjustable blanking plates are attached to the end of a ducting system or on a branch to manually regulate the airflow for use in overpressure, under-pressure and pressureless systems.

It is locked in the desired position by tightening the star knob.

It is held in place by a ring (sold separately).

Material

Senzimir galvanized DX51 DZ 275 MAC.
POM star knob.

Type

Cut sheets, with a 6 mm edge for lock rings.

Options

- other diameters
- other sheet thicknesses depending on diameter and length
- other types of edges or connections

Ø	Code	Ø d1 mm	L mm	s mm	Weight kg
80	AAZC000001	94	30	1.50	0.05
100	AAZC000002	114	30	1.50	0.20
120	AAZC000003	134	30	1.50	0.20
125	AAZC000015	139	30	1.50	0.25
140	AAZC000004	154	30	1.50	0.33
150	AAZC000005	164	30	1.50	0.34
160	AAZC000006	178	30	1.50	0.40
180	AAZC000007	194	30	1.50	0.51
200	AAZC000008	214	30	1.50	0.62
225	AAZC000009	239	30	1.50	0.76
250	AAZC000010	264	30	1.50	0.90
275	AAZC000011	289	30	1.50	1.16
280	AAZC000022	294	30	1.50	1.17
300	AAZC000012	314	30	1.50	1.36
315	AAZC000013	329	30	1.50	1.42
350	AAZC000014	364	30	1.50	1.80